

A & M Electric Tools

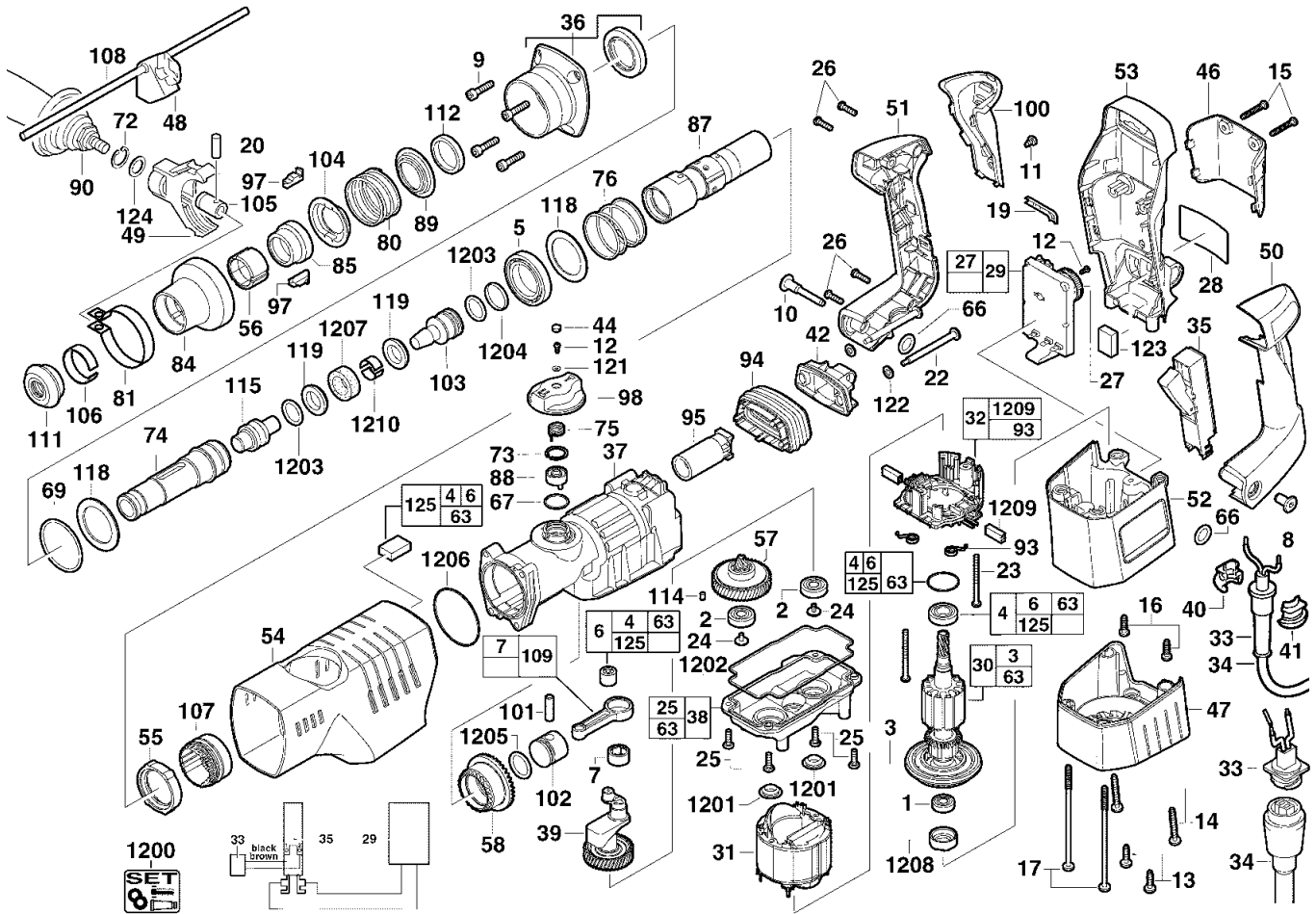
Ind	Product No.	Type	Voltage	Country
a	4000392135	840M	220-240V	IN2
b	4000392135	840M	220-240V	GB2
c	4000392135	840M	220-240V	AUS
d	4000392156	840M	110-120V	GB1
e	4000392164	840M	110-120V	USC

Rotary Hammers

Kango

840M

Exp.view No. Version Date Page
4926 3921 36 0001 10.03.03 1/3



Pos	Index	Quanti	Article No.	Designation	Pos	Index	Quanti	Article No.	Designation
0001	abcde.....	1	02040845	BALL BEARING	0025	abcde.....	4	05889910	SCREW
0002	abcde.....	2	02040911	BALL BEARING	0026	abcde.....	4	06956290	SCREW
0003	abcde.....	1	22840875	FAN	0027	abcde.....	1	31010035	WHEEL
0004	abcde.....	1	14460040	REPAIR KIT	0028	abcde.....	1	9170466590	PLATE
0005	abcde.....	1	02080640	BALL BEARING	0029	abc.....	1	14201077	REPAIR KIT
0006	abcde.....	1	14460040	REPAIR KIT	0029	...d.....	1	14200842	REPAIR KIT
0007	abcde.....	1	02504020	NEEDLE BEARING	0029	...e.....	1	9170465290	ELECTRONIC
0008	abcde.....	1	05590100	NUT	0030	abc.....	1	16341541	ARMATURE
0009	abcde.....	4	05740625	SCREW	0030	...de.....	1	16300641	ARMATURE
0010	abcde.....	1	05770100	BEARING BOLT	0031	abc.....	1	18340300	ELECTRIC FIELD
0011	abcde.....	1	05883650	SCREW	0031	...de.....	1	18301040	ELECTRIC FIELD
0012	abcde.....	1	05885910	SCREW	0032	abcde.....	1	9170465400	BRUSH CARD ASSEMB
0013	abcde.....	2	05885930	SCREW	0033	abc.....	1	22560694	HOUSING
0014	abcde.....	2	05885940	SCREW	0033	...d.....	1	44760210	CABLE ENTRY SLEEVE
0015	abcde.....	2	05889920	SCREW	0033	...e.....	1	9170465410	BLADE HOUSING
0016	abcde.....	2	05889930	SCREW	0034	a.....	1	4931624171	CONNECTION CABLE
0017	abcde.....	2	05889940	SCREW	0034	b.....	1	4931624184	CONNECTION CABLE
0019	abcde.....	1	31010065	LIGHT PIPE	0034	...c.....	1	4931624342	CONNECTION CABLE
0020	abcde.....	1	06651660	PIN	0034	...d.....	1	9170466530	WIRE
0022	abcde.....	2	06811805	SCREW	0034	...e.....	1	9170466830	WIRE
0023	abcde.....	2	06827375	SCREW	0035	abcde.....	1	23662195	SWITCH
0024	abcde.....	2	06828842	SCREW	0036	abcde.....	1	14520030	SERVICE TOOL

Repairs/modification and testing of electric power tools are to be carried out by specialists. The safety regulations according to DIN/VDE/CEE/AFNOR and other regulations valid in the different countries are to be observed.

A & M Electric Tools

Ind	Product No.	Type	Voltage	Country
a	4000392135	840M	220-240V	IN2
b	4000392135	840M	220-240V	GB2
c	4000392135	840M	220-240V	AUS
d	4000392156	840M	110-120V	GB1
e	4000392164	840M	110-120V	USC

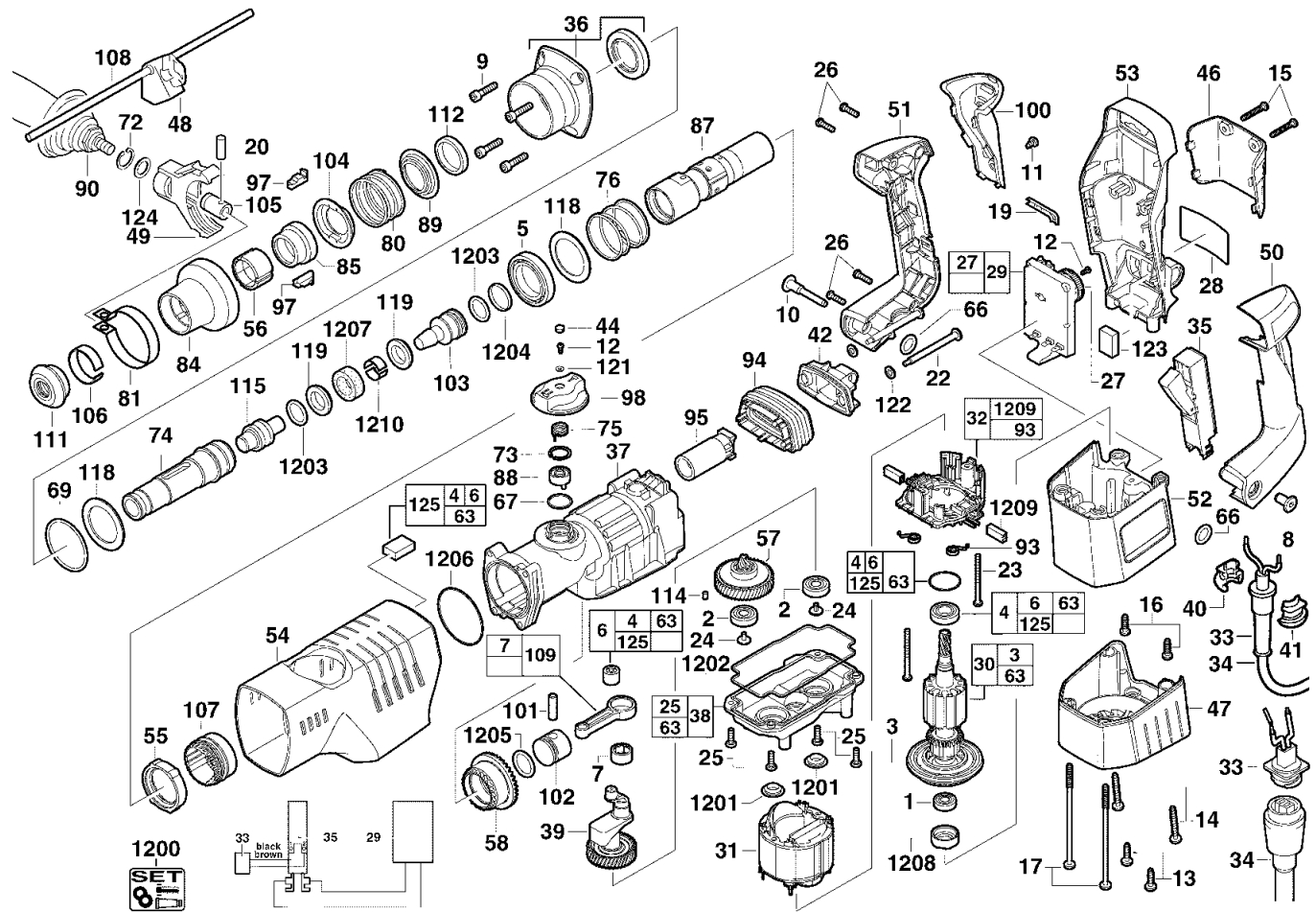
Rotary Hammers

Kango

840M

Exp.view No. Version Date Page

4926 3921 36 0001 10.03.03 2/3



Pos	Index	Quanti	Article No.	Designation	Pos	Index	Quanti	Article No.	Designation
0037	abcde	1	28142541	CRANKCASE	0056	abcde	1	31860100	SPACER
0038	abcde	1	14462565	GEAR CASE	0057	abcde	1	14080210	CLUTCH WHEEL
0039	abcde	1	14090160	CRANK ASSEMBLY	0058	abcde	1	32300060	DRIVE GEAR
0040	...d	1	31170260	CLAMP	0063	abcde	1	14460040	REPAIR KIT
0041	...d	1	9170466560	CABLE CLAMP	0066	abcde	2	34404490	O-RING
0042	abcde	1	31100140	HANDLE	0067	abcde	1	34404500	O-RING
0044	abcde	1	31120185	SCREW	0069	abcde	1	34404520	O-RING
0046	abcde	1	31150613	COVER	0072	abcde	1	34602580	RING
0047	abcde	1	31152053	MOTOR COVER	0073	abcde	1	34805010	THRUST COLLAR
0048	abcde	1	14340551	DEPTH GAUGE	0074	abcde	1	38506250	SPINDLE
0049	abcde	1	31442000	HANDLE	0075	abcde	1	40500370	SPRING
0050	abcd	1	9170465580	HANDLE	0076	abcde	1	40500380	SPRING
0050	...e	1	4931379963	HANDLE COMPL.	0080	abcde	1	40508870	PRESSURE SPRING
0051	abcd	1	9170465600	HANDLE	0081	abcde	1	42160125	BAND
0051	...e	1	4931379963	HANDLE COMPL.	0084	abcde	1	42760710	COVER
0052	abcd	1	9170465620	MOTOR HOUSING	0085	abcde	1	42760715	BUSH
0052	...e	1	9170465610	MOTOR HOUSING	0087	abcde	1	42980260	BARREL
0053	abcd	1	9170465640	COVER	0088	abcde	1	14140170	JUMPER RING
0053	...e	1	9170465630	COVER	0089	abcde	1	43340440	SPRING
0054	abcd	1	9170465660	COVER	0090	abcde	1	14340516	HANDLE
0054	...e	1	9170465650	COVER	0093	abcde	2	40502220	SPRING
0055	abcde	1	31580150	RING	0094	abcde	1	43870035	DRIVER

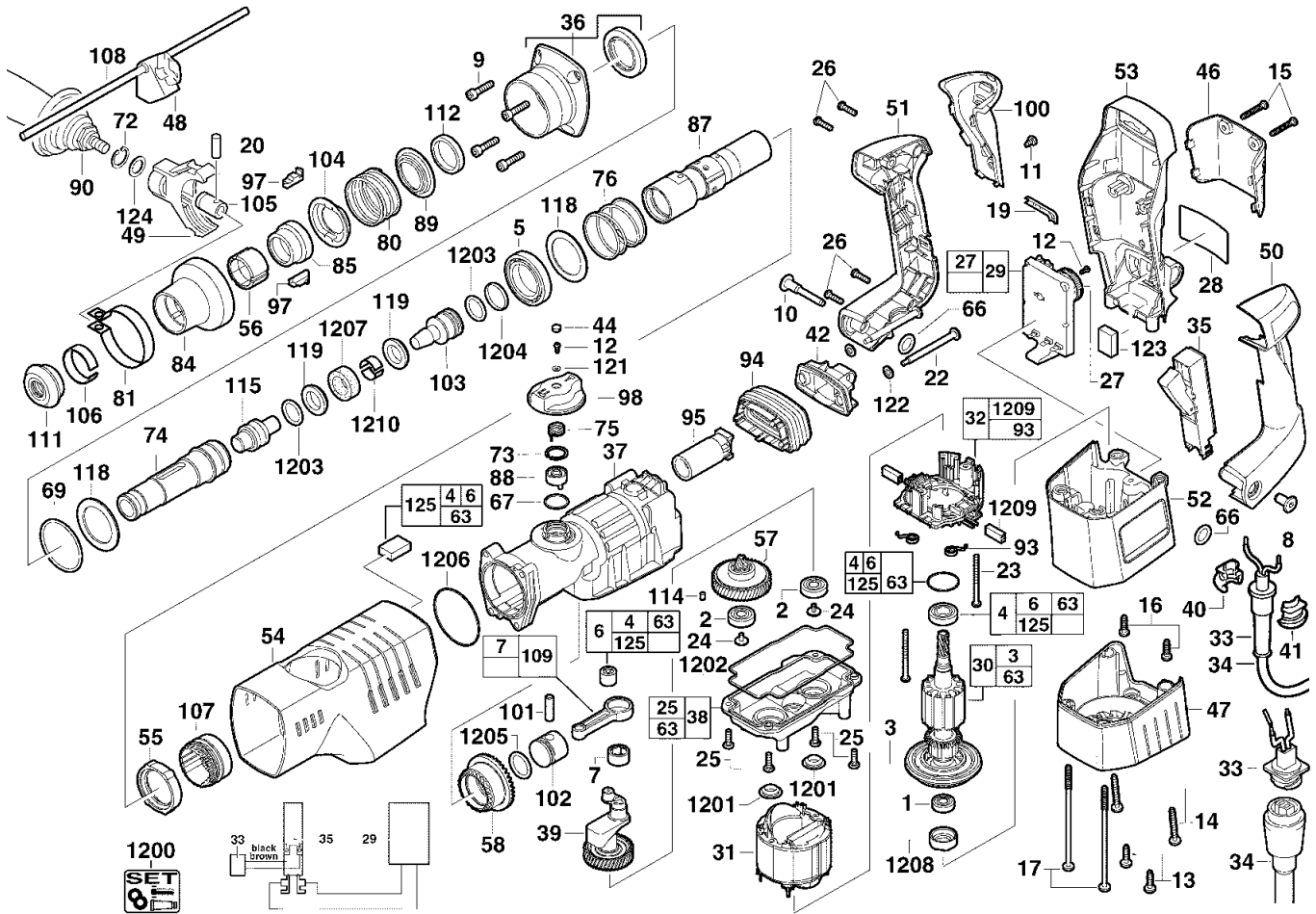
Repairs/modification and testing of electric power tools are to be carried out by specialists. The safety regulations according to DIN/VDE/CEE/AFNOR and other regulations valid in the different countries are to be observed.

A & M Electric Tools

Ind	Product No.	Type	Voltage	Country
a	4000392135	840M	220-240V	IN2
b	4000392135	840M	220-240V	GB2
c	4000392135	840M	220-240V	AUS
d	4000392156	840M	110-120V	GB1
e	4000392164	840M	110-120V	USC

Rotary Hammers

Ind	Product No.	Type	Voltage	Country
Kango				
840M				
Exp.view No. Version Date Page				
4926 3921 36 0001 10.03.03 3/3				



Pos	Index	Quanti	Article No.	Designation	Pos	Index	Quanti	Article No.	Designation
0095	abcde	1	43870060	INSULATING PART	0124	abcde	1	45888730	WASHER
0097	abcde	2	43960220	KEY	0125	abcde	1	14460040	REPAIR KIT
0098	abcde	1	14340180	KNOB	1200	abcde	1	14469266	SERVICE-KIT
0100	abcde	1	44520590	GRIP	1201	abcde	2	31120040	PLUG
0101	abcde	1	44601710	PIN	1202	abcde	1	34400240	SEAL
0102	abcde	1	44620230	PISTON	1203	abcde	2	34404350	O-RING
0103	abcde	1	44820220	RAM	1204	abcde	1	34404475	SEAL
0104	abcde	1	44860610	RING	1205	abcde	1	34404510	O-RING
0105	abcde	1	44860620	RETAINER	1206	abcde	1	34404530	O-RING
0106	abcde	1	44900005	RING	1207	abcde	1	34404570	DAMPING WASHER
0107	abcde	1	44900175	VARIABLE RING	1208	abcde	1	42960125	BEARING SLEEVE
0108	abcde	1	44940165	ROD	1209	abcde	1	22181355	CARBON BRUSH SET
0109	abcde	1	44940395	ROD	1210	abcde	2	45220680	SLEEVE
0111	abcde	1	45060555	SEAL RING					
0112	abcde	1	45060685	FELT PACKING					
0114	abcde	1	45300060	RETAINER					
0115	abcde	1	45562640	PERCUSSION BODY					
0118	abcde	2	45881565	WASHER					
0119	abcde	2	45884005	WASHER					
0121	abcde	1	45887170	WASHER					
0122	abcde	2	45888555	WASHER					
0123	abcde	1	45060535	SEAL					

Repairs/modification and testing of electric power tools are to be carried out by specialists. The safety regulations according to DIN/VDE/CEE/AFNOR and other regulations valid in the different countries are to be observed.